



SENSORES E INSTRUMENTACION GUEMISA S.L.

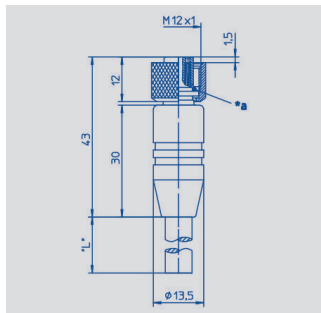
NIF: B-87969416

C\ La Fundición 4 Bis - Pl 1ª Oficina-2
28522 Rivas Vaciamadrid (Madrid)
Telf. 91 764 21 00

email: ventas@quemisa.com

www.guemisa.com

Accessories M12 connection system



Terminal assignment

- 1 = brown
- 2 = white
- 3 = blue
- 4 = black



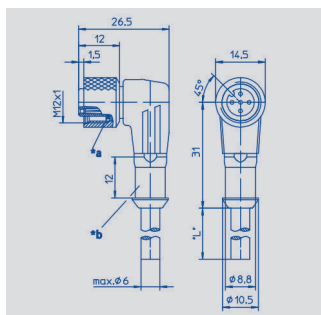
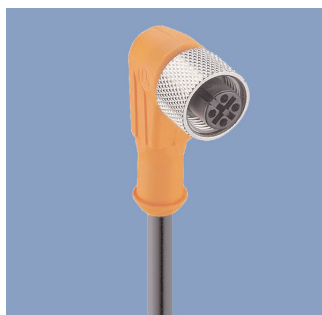
M12x1 female connector, 4-pin, straight, with molded cable, shielding connected, IP67, open ended

Connector housing Plastic PA

Cable jacket PUR; Ø = max. 6 mm,
-25 °C... +80 °C (moved)
-50 °C... +80 °C (fixed)

Single wires PP, 0,34 mm²

Length 2 m P/N 005600, EEM 33-32
Length 5 m P/N 005609, EEM 33-62
Length 10 m P/N 005650, EEM 33-97



Terminal assignment

- 1 = brown
- 2 = white
- 3 = blue
- 4 = black



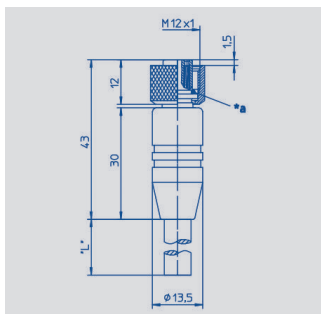
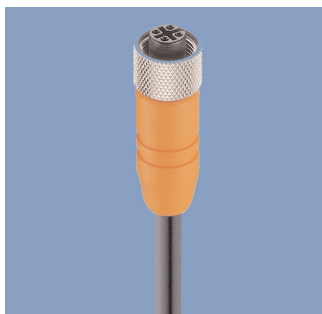
M12x1 female connector, 4-pin, angled, with molded cable, shielding connected, IP67, open ended

Connector housing Plastic PA

Cable jacket PUR; Ø = max. 6 mm,
-25 °C... +80 °C (moved)
-50 °C... +80 °C (fixed)

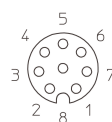
Single wires PP, 0,34 mm²

Length 2 m P/N 005601, EEM 33-33
Length 5 m P/N 005610, EEM 33-63
Length 10 m P/N 005696, EEM 33-99



Terminal assignment

- 1 = white
- 2 = brown
- 3 = green
- 4 = yellow
- 5 = grey
- 6 = pink
- 7 = blue
- 8 = red



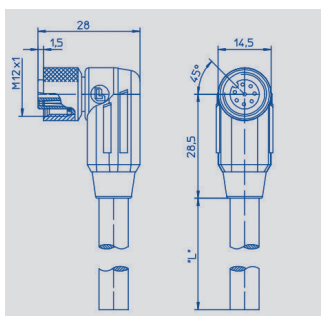
M12x1 female connector, 8-pin, straight, with molded cable, shielding connected, IP67, open ended

Connector housing Plastic PA

Cable jacket PUR; Ø = max. 8 mm,
-25 °C... +80 °C (moved)
-50 °C... +80 °C (fixed)

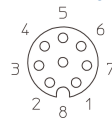
Single wires PP, 0,25 mm²

Length 2 m P/N 005629, EEM 33-86
Length 5 m P/N 005635, EEM 33-90
Length 10 m P/N 005637, EEM 33-92



Terminal assignment

- 1 = white
- 2 = brown
- 3 = green
- 4 = yellow
- 5 = grey
- 6 = pink
- 7 = blue
- 8 = red



M12x1 female connector, 8-pin, angled, with molded cable, shielding connected, IP67, open ended

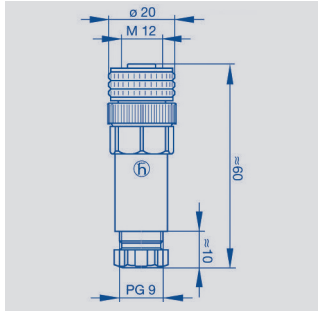
Connector housing Plastic PA

Cable jacket PUR; Ø = max. 8 mm,
-25 °C... +80 °C (moved)
-50 °C... +80 °C (fixed)

Single wires PP, 0,25 mm²

Length 2 m P/N 005630, EEM 33-87
Length 5 m P/N 005636, EEM 33-91
Length 10 m P/N 005638, EEM 33-93





Terminal assignment



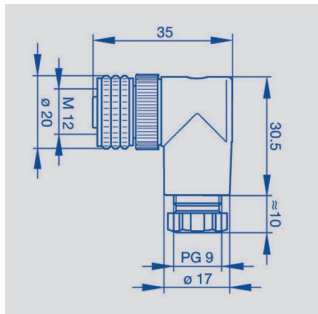
IP67

M12x1 female connector, 4-pin, straight, unassembled, with coupling nut, screw termination, IP67, not shieldable

Connector housing Plastic PBT
-25 °C... +90 °C

For wire gauge 6...8 mm, max. 0.75 mm²

P/N 005633, EEM 33-88



Terminal assignment



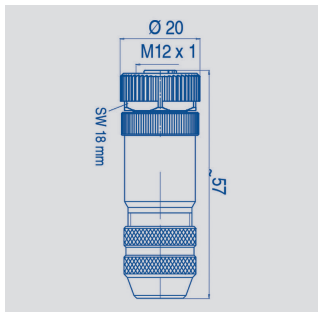
IP67

M12x1 female connector, 4-pin, angled, unassembled, with coupling nut, screw termination, IP67, not shieldable

Connector housing Plastic PBT
-25 °C... +90 °C

For wire gauge 6...8 mm, max. 0.75 mm²

P/N 005634, EEM 33-89



Terminal assignment



IP67

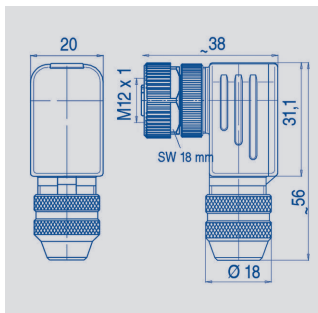


M12x1 female connector, 5-pin, straight, unassembled, with coupling nut, screw termination, IP67, shielding connectable

Connector housing Metal
-40 °C... +85 °C

For wire gauge 6...8 mm, max. 0.75 mm²

P/N 005645, EEM 33-73



Terminal assignment



IP67



M12x1 female connector, 5-pin, angled, unassembled, with coupling nut, screw termination, IP67, shielding connectable

Connector housing Metal
-40 °C... +85 °C

For wire gauge 6...8 mm, max. 0.75 mm²

P/N 005646, EEM 33-75

IP67 Protection class IP67, DIN EN 60529

UL UL approved

Hand icon Very good resistance to oils, coolants and lubricants

C suitable for use in drag chains

Shielding icon Very good electromagnetic resistance (EMC) and shielded systems

a* O-ring
b* hose mounting

Note: The specified protection class is only in locked position with its proper counterparts valid. The application of these products in harsh environments should always be checked before use.