

**Roller Head
Ball and Socket
Coupling
Shaft Coupling**



GUEMISA (Electrónica Guerra y Miró Guemisa S.L.)
Sta. Virgilia, 29 - local - 28033 Madrid (Spain)
Tlfn.: (034) 91 764 21 00 Fax.: (034) 91 764 21 32
Email.: ventas@guemisa.com Web.: www.guemisa.com



Z 301
Ball coupling avoids side loads. For use with transducers series LWH.



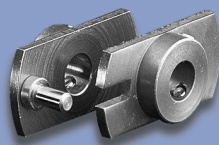
Z 50
Roller head to be used with transducers series TR/TRS and inductive precision sensor FTI. Hardened steel roll.



Z 60
Ball and socket coupling to be used with transducers series LWH.



Z 103 G 2.5
Z 103 G 3
Fork coupling with low backlash for shaft diameters 2.5 mm or 3 mm. Stainless steel, ground driving pin. Mounting with 1 fillister head screw M 2 each with hexagon socket. Allen key size 1.5 is supplied.



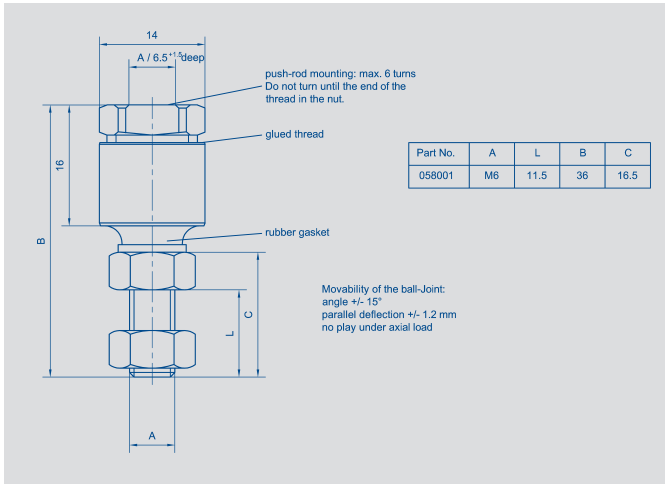
Z 104 G 6
Fork coupling with low backlash for shaft diameter 6 mm. Stainless steel, ground driving pin. Mounting with 1 fillister head screw M 3 each with hexagon socket. Allen key size 1.5 is supplied.



Z 105 G 6
Backlash-free fork coupling for shaft diameter 6 mm. Black anodized aluminium, driving pin and spring hardened. Clamp mounting with 1 fillister head screw M 3 each with hexagon socket. Maximum torque 5 Ncm. Allen key size 2.5 is supplied.



Z 110 G 10
Backlash-free coupling for shaft diameter 10 mm. Black anodized aluminium, driving pin and spring in phosphor bronze. Mounting with 2 threaded pins m 4 each with hexagon socket. Maximum torque 25 Ncm.

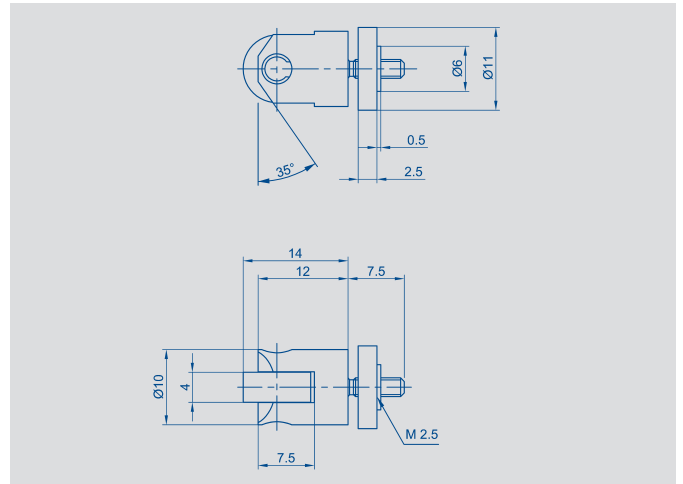


Type

Z 301 M6/M6

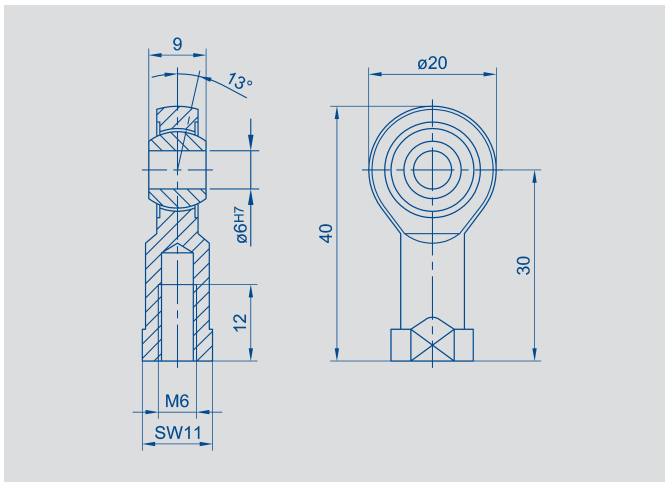
Z 301 M6/M4

Z 301 M5/M5



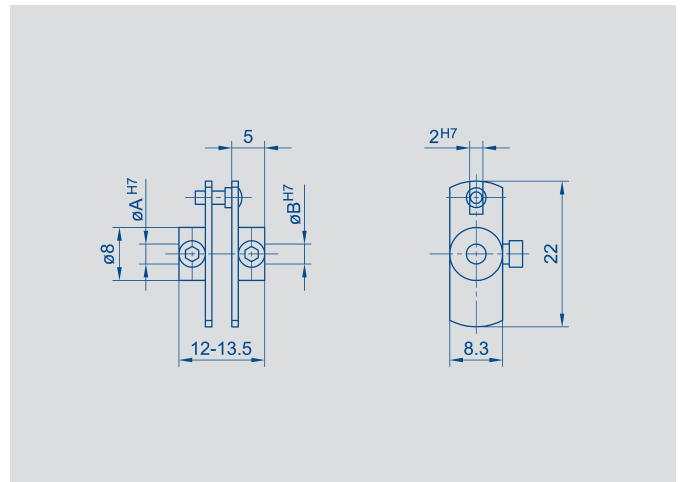
Type

Z 50



Type

Z 60



Type

Z 103 G 2,5

Z 103 G 3

øA

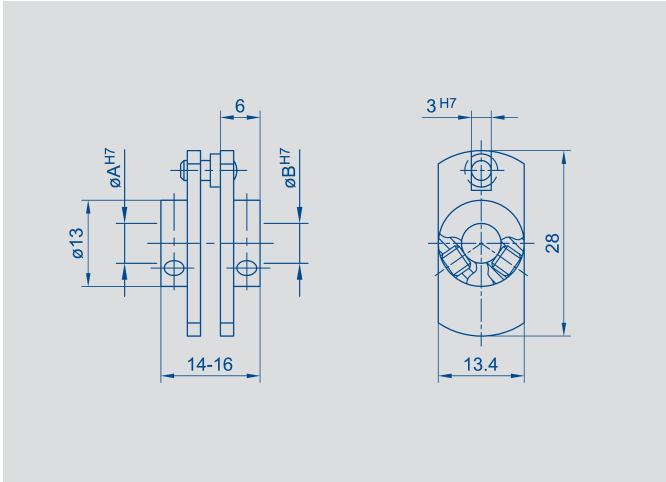
2,5

3

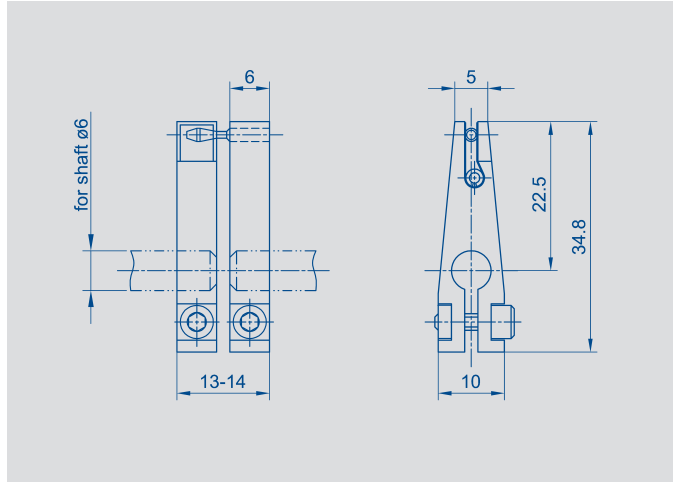
øB

2,5

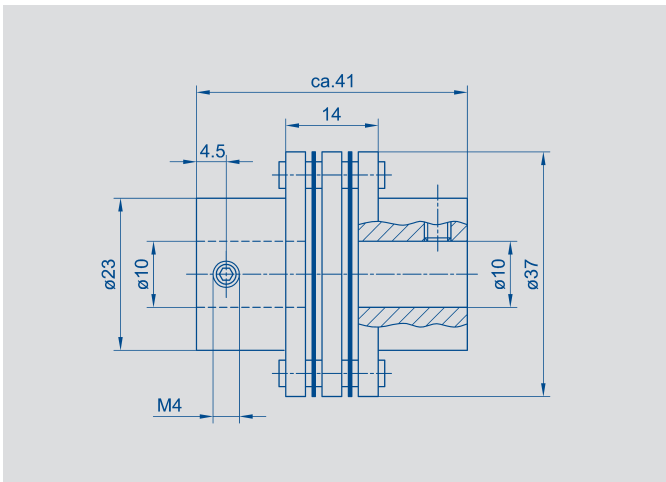
3



Type	ϕA	ϕB
Z104 G 6	6	6



Type
Z105 G 6



Type
Z110 G10

Order designations	
Type	Art.-No.
Z 301 M6/M6	058001
Z 301 M6/M4	005679
Z 301 M5/M5	058002
Z 50	005678
Z 60	058100
Z103 G 2,5	005684
Z103 G 3	005687
Z104 G 6	005690
Z105 G 6	005691
Z110 G10	005692