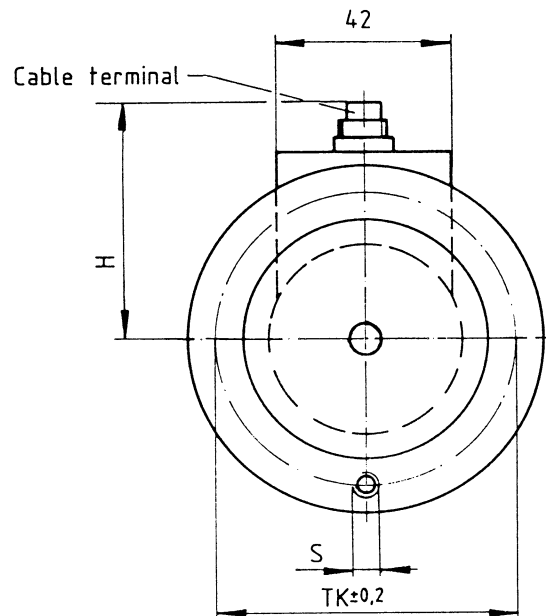
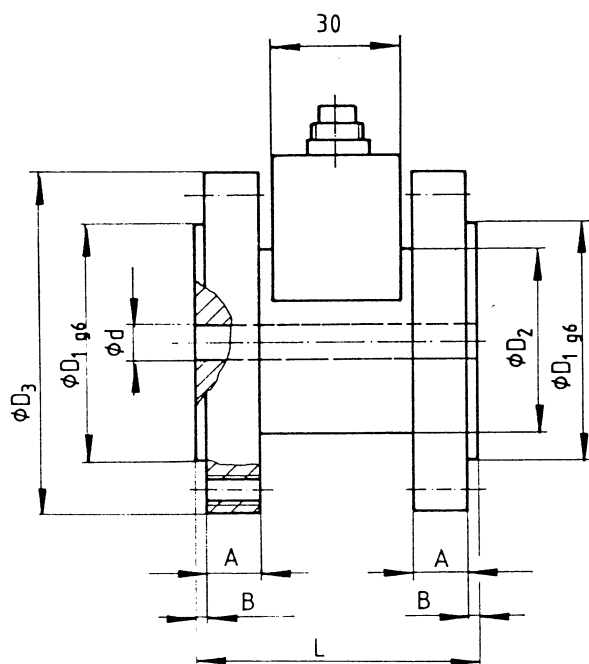
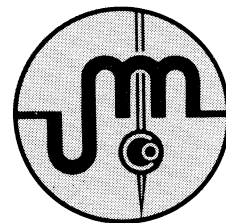


Staiger Mohilo

Meßtechnik für Industrie und Umwelt

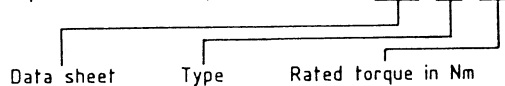


Black transducer case

For specifications, see reverse

M in Nm	A	B	D ₁	D ₂	D ₃	d	H	L	S	TK
100	12	2,5	56	44	80	8	54	65	6x60° M6	68
200	12	2,5	56	44	80	8	54	65	6x60° M6	68
500	15	3	65	59	100	20	62	70	6x60° M8	84
1000	15	3	65	59	100	20	62	70	6x60° M10	84
2000	20	5	85	96	150	-	80	120	6x60° M12	120
5000	25	5	100	108	250	-	86	150	8x45° M12	220
10000	35	5	180	126	280	-	95	190	8x45° M18	240

Example of order specification : 0150 RD 100



Design is subject to change without notice

03.85

Torque transducer, strain gauge

Type RD

0150

Dr. Staiger, Mohilo + Co GmbH
Baumwiesenstraße 5, D-73614 Schorndorf
Telefon (0 71 81) 70 08-0, Telefax (0 71 81) 70 08 49

Specifications of RD type strain gauge torque transducers

Linearity	$\pm 0,25\%$ of full scale
Overload capacity	2 x rated torque
Max. feed voltage	12V DC
Sensitivity	1 mV/V
Rated temperature range	5 to +60°C
Working temperature range	-10 to +90°C
Hysteresis error	0,1% of full scale
Repeatability	0,1% of full scale
Instrument system	Strain gauge bridge, 350 ohms
Temperature error in rated temperature range	
of zero	0,01% / K of full scale
of sensitivity	0,02% / K of full scale

Accessories :

Signal amplifier - refer to Data Sheets 4103, 4105



Sta. Virgilia 29 Local.1A 28033 Madrid
Tfno.: 91 764 21 00 Fax.: 91 764 21 32
www.guemisa.com Email.:info@guemisa.com