

REF. NO: MPCL 95CAT PG 72

REVISION

C.O.N	SYM	DESCRIPTION	DATE	DRAWN	APPR'D
	A	(1) ADDED	11/18/02	T.TSUGAWA	

GENERAL:

MODEL LP-50FB IS A 50 mm STROKE CONDUCTIVE PLASTIC, LINEAR MOTION POTENTIOMETER WITH A RETURN SPRING. ITS UNIQUE DESIGN, PRECISION CONSTRUCTION AND COMOLD ELEMENT ALLOW THE UNIT TO FEATURE SUPERB SMOOTHNESS AND LONG LIFE.

ELECTRICAL SPECIFICATIONS:

ELECTRICAL STROKE: 50 mm (F.S.)  
 TOTAL RESISTANCE: 0.2, 0.5, 1, 2, 5 KOHMS  
 TOTAL RESIS. TOLERANCE: ±20%  
 LINEARITY (INDEPENDENT): ±0.5% (±0.2% AVAILABLE)  
 REPEATABILITY: ±0.005%  
 POWER RATING: 1.5 WATTS @70°C  
 INSULATION RESISTANCE: 500 meg OHMS MIN. @ 500 Vdc  
 DIELECTRIC STRENGTH: 500 Vrms, 50/60Hz, for 1 MINUTE  
 RESISTANCE TEMP. COEFFICIENT: 400 ppm/°C

MECHANICAL SPECIFICATIONS:

MECHANICAL STROKE: 55 mm  
 FRICTION (SPRING FORCE): 170 gf (6 oz)  
 WEIGHT: 75 g (2.7 oz)

ENVIRONMENTAL SPECIFICATIONS:

OPERATING TEMPERATURE: -40°C to +100°C  
 VIBRATION: 10 Gs, 500 Hz  
 SHOCK: 50 Gs, 11 ms  
 LIFE: 5 MILLION CYCLES MIN.

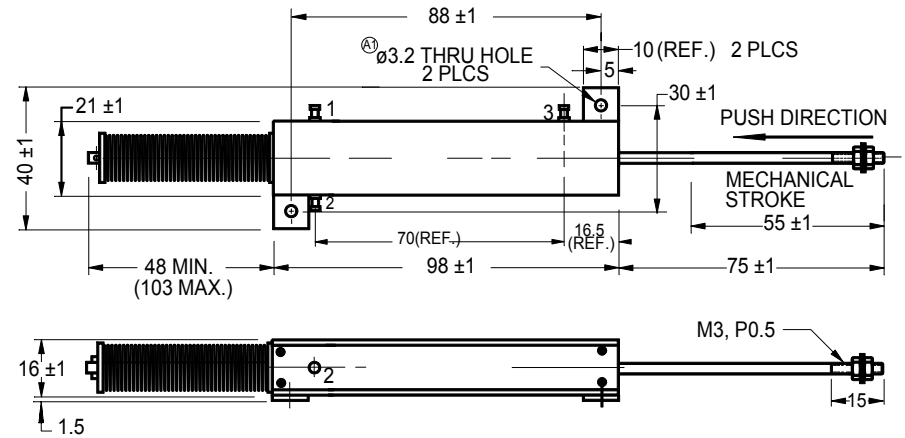


FIGURE 1 OUTLINE DIMENSIONS

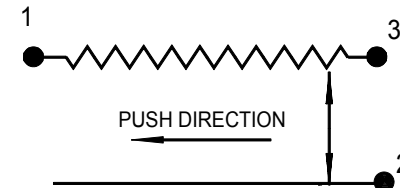


FIGURE 2 SCHEMATIC



**GUEMISA**  
 Sta. Virgilia 3-b ; 1ºF 28033 Madrid  
 Tfno.: 91 764 21 00 Fax.: 91 764 21 32  
 Email: info@guemisa.com

UNLESS OTHERWISE SPECIFIED, DIMENSIONS ARE IN mm(in).  
 TOLERANCES:  
 ANGLES ±1.5°  
 ≤10 mm: ±0.25  
 <100 mm: ±0.5  
 ≥100 mm: ±1

DRAWN T.TSUGAWA	DATE 4/7/97	SPECIFICATION DWG FOR MODEL LP-50FB LINEAR MOTION POTENTIOMETER ( WITH RETURN SPRING )	Midori America Corporation FULLERTON, CA	
CHECKED	DATE			
APPROVED	DATE		A-MAC-C02	A
APPROVED	DATE		1 OF 1	
SCALE:		FILE: LP-50FB		