

REF. NO: MPCL DWG A-50F-B14

REVISION

C.O.N	SYM	DESCRIPTION	DATE	DRAWN	APPR'D

**GENERAL:**

MODEL LP-50F-1 IS A 50 mm STROKE CONDUCTIVE PLASTIC, BUSHING MOUNT LINEAR POTENTIOMETER OF WHICH PERFORMANCE IS UNAFFECTED BY SHAFT ROTATION. ITS COMOLD ELEMENT AND PRECISION CONSTRUCTION ALLOW THE UNIT TO FEATURE LOW TORQUE, SUPERB SMOOTHNESS AND LONG LIFE.

**ELECTRICAL SPECIFICATIONS:**

ELECTRICAL STROKE: 50 mm (F.S.)  
 TOTAL RESISTANCE: 5 KOHMS (1, 2, 10 KOHMS AVAILABLE)  
 TOTAL RESIS. TOLERANCE: ±20%  
 LINEARITY (INDEPENDENT): ±0.5% (±0.2% AVAILABLE)  
 REPEATABILITY: ±0.005%  
 POWER RATING: 1.5 WATTS @70°C  
 INSULATION RESISTANCE: 100 meg OHMS MIN. @500 Vdc  
 DIELECTRIC STRENGTH: 500 Vrms, 50/60Hz, for 1 MINUTE  
 RESISTANCE TEMP. COEFFICIENT: 400 ppm/°C

**MECHANICAL SPECIFICATIONS:**

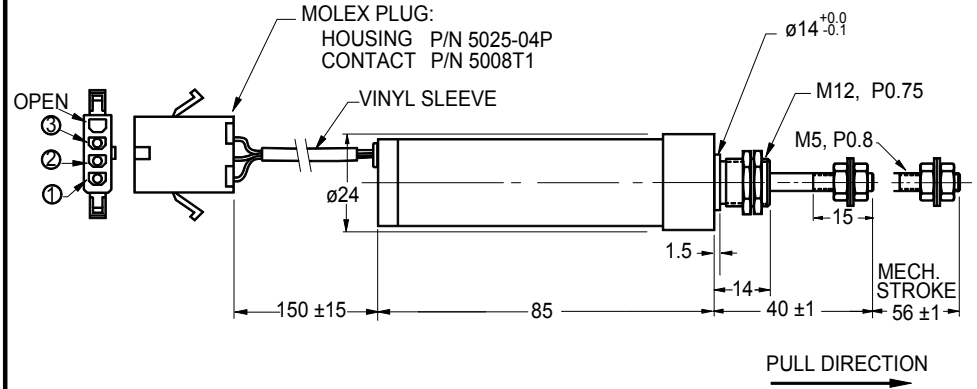
MECHANICAL STROKE: 56 mm (REF.)  
 FRICTION: 50 gf (1.8 oz)  
 WEIGHT: 75 g (2.7 oz)

**ENVIRONMENTAL SPECIFICATIONS:**

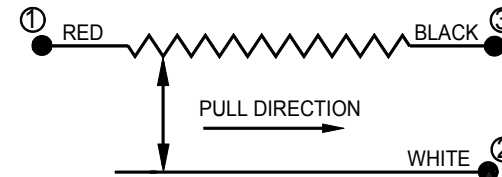
OPERATING TEMPERATURE: -40°C to +100°C  
 VIBRATION: 10 Gs, 500 Hz  
 SHOCK: 50 Gs, 11 mS  
 LIFE: 5 MILLION CYCLES MIN.

**HARDWARE:**

TWO NUTS (M12) FOR MOUNTING AND TWO NUTS (M5) AND A WASHER AT THE SHAFT END ARE SUPPLIED WITH EACH UNIT.



**FIGURE 1 OUTLINE DIMENSIONS**



**FIGURE 2 SCHEMATIC**



**GUEMISA**  
 Sta. Virgilia 3-b ; 1ºF 28033 Madrid  
 Tfno.: 91 764 21 00 Fax.: 91 764 21 32  
 Email: info@guemisa.com

UNLESS OTHERWISE SPECIFIED, DIMENSIONS ARE IN mm(in).

TOLERANCES:  
 ANGLES ±1.5°  
 ≤10 mm: ±0.25  
 <100 mm: ±0.5  
 ≥100 mm: ±1

DRAWN	T.TSUGAWA	DATE	10/28/98
CHECKED		DATE	
APPROVED		DATE	
APPROVED		DATE	

SCALE: NONE

SPECIFICATION DWG  
 FOR  
**MODEL LP-50F-1**  
 LINEAR MOTION  
 POTENTIOMETER

FILE: LP-50F-1

**Midori America Corporation**  
 FULLERTON, CA

**B-MAC-B27**

1 OF 1