

**GENERAL:**

MODEL LP-20FB IS A 20 mm STROKE CONDUCTIVE PLASTIC, LINEAR MOTION POTENTIOMETER (WITH RETURN SPRING) OF WHICH PERFORMANCE IS UNAFFECTED BY SHAFT ROTATION. ITS CO-MOLD ELEMENT AND PRECISION CONSTRUCTION ALLOW THE UNIT TO FEATURE SUPERB OUTPUT SMOOTHNESS AND LONG LIFE.

**ELECTRICAL SPECIFICATIONS:**

ELECTRICAL STROKE:	20 mm (F.S.)
TOTAL RESISTANCE:	0.1, 0.2, 0.5, 1, 2 KOHMS
TOTAL RESIS. TOLERANCE:	±20%
INDEPENDENT LINEARITY:	±1% (±0.5% AVAILABLE) <sup>(A)</sup>
REPEATABILITY:	±0.03%
POWER RATING:	0.6 WATTS @70°C
INSULATION RESISTANCE:	100 meg OHMS MIN. @500 Vdc
DIELECTRIC STRENGTH:	500 Vrms, 50/60Hz, for 1 MINUTE
RESISTANCE TEMP. COEFFICIENT:	400 ppm/°C

**MECHANICAL STROKE:**

MECHANICAL STROKE:	22 mm (F.S.)
FRICTION (SPRING FORCE):	300 gf MAX. (3 N MAX) <sup>(A)</sup>
WEIGHT:	APPROX. 60 g

**ENVIRONMENTAL SPECIFICATIONS:**

OPERATING TEMPERATURE:	-40°C to +100°C
VIBRATION:	10 Gs, 500 Hz
SHOCK :	50 Gs, 11 ms
LIFE:	5 MILLION CYCLES MIN.

C.O.N	SYM	DESCRIPTION	DATE	DRAWN	APPR'D
	A	(1) ADDED (±0.5% AVAILABLE). (2) WAS 120 gf. (3) WAS 11. (4) ADDED 35 ±1	7/12/02	T.TSUGAWA	

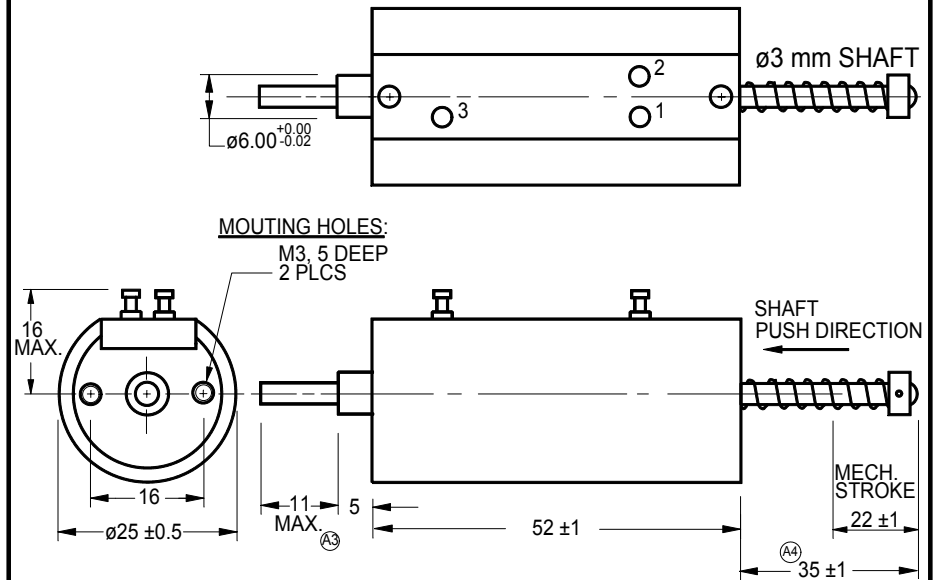


FIGURE 1 OUTLINE DIMENSIONS

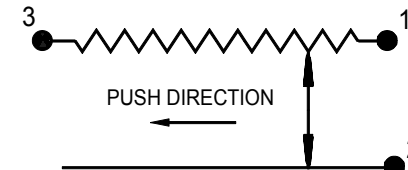


FIGURE 2 SCHEMATIC



**GUEMISA**  
 Sta. Virgilia 3-b ; 1ºF 28033 Madrid  
 Tfno.: 91 764 21 00 Fax.: 91 764 21 32  
 Email: info@guemisa.com

UNLESS OTHERWISE SPECIFIED, DIMENSIONS ARE IN mm(in).  
 TOLERANCES:  
 ANGLES ±1.5°  
 ≤10 mm: ±0.25  
 <100 mm: ±0.5  
 ≥100 mm: ±1

DRAWN	T.TSUGAWA	DATE	12/20/94
CHECKED		DATE	
APPROVED		DATE	
APPROVED		DATE	
SCALE:			

SPECIFICATION DWG  
 FOR  
**MODEL LP-20FB**  
 LINEAR MOTION  
 POTENTIOMETER  
 (WITH RETURN SPRING)

**Midori America Corporation**  
 FULLERTON, CA

A-MAC-B61 **A**