

REVISION

C.O.N	SYM	DESCRIPTION	DATE	DRAWN	APPR'D
	A	(1) ADDED (±0.5% AVAILABLE). (2) ADDED (0.3NMAX.). (3) WAS 11.	7/12/02	T.TSUGAWA	

**GENERAL:**

MODEL LP-20F IS A 20 mm STROKE CONDUCTIVE PLASTIC, LINEAR MOTION POTENTIOMETER OF WHICH PERFORMANCE IS UNAFFECTED BY SHAFT ROTATION. ITS COMOLD ELEMENT AND PRECISION CONSTRUCTION ALLOW THE UNIT TO FEATURE LOW TORQUE, SUPERB SMOOTHNESS AND LONG LIFE.

**ELECTRICAL SPECIFICATIONS:**

ELECTRICAL STROKE:	20 mm (F.S.)
TOTAL RESISTANCE:	0.1, 0.2, 0.5, 1, 2 KOHMS
TOTAL RESIS. TOLERANCE:	±20%
INDEPENDENT LINEARITY:	±1% (±0.5% AVAILABLE) <sup>(A1)</sup>
REPEATABILITY:	±0.03%
POWER RATING:	0.6 WATTS @70°C
INSULATION RESISTANCE:	100 meg OHMS MIN. @500 Vdc
DIELECTRIC STRENGTH:	500 Vrms, 50/60Hz, for 1 MINUTE
RESISTANCE TEMP. COEFFICIENT:	400 ppm/°C

**MECHANICAL STROKE:**

MECHANICAL STROKE:	22 mm (F.S.)
FRICTION:	30 gf MAX. (0.3N MAX.) <sup>(A2)</sup>
WEIGHT:	APPROX. 60 g

**ENVIRONMENTAL SPECIFICATIONS:**

OPERATING TEMPERATURE:	-40°C to +100°C
VIBRATION:	10 Gs, 500 Hz
SHOCK :	50 Gs, 11 mS
LIFE:	5 MILLION CYCLES MIN.

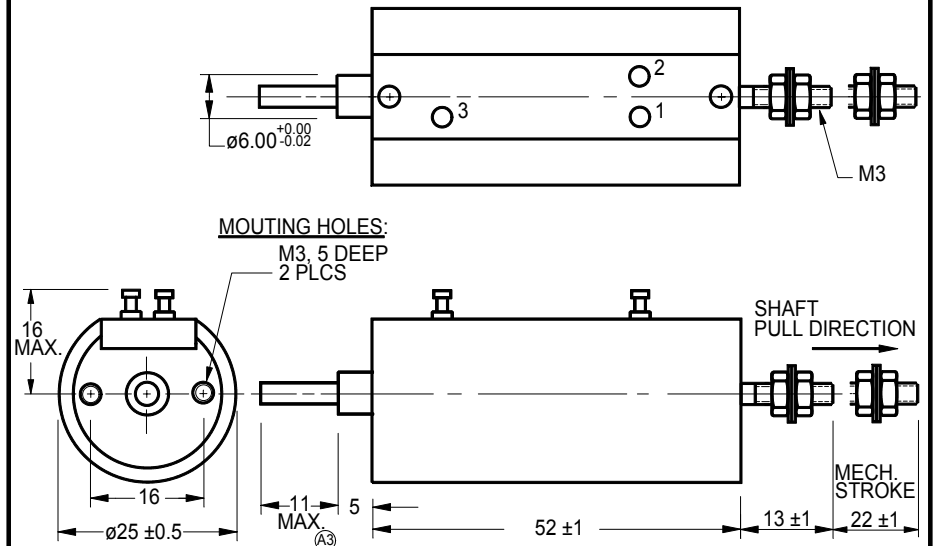


FIGURE 1 OUTLINE DIMENSIONS

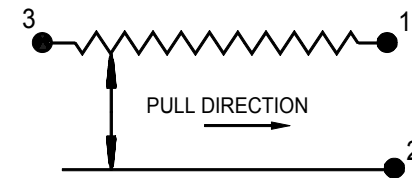


FIGURE 2 SCHEMATIC



**GUEMISA**  
 Sta. Virgilia 3-b ; 1ºF 28033 Madrid  
 Tfno.: 91 764 21 00 Fax.: 91 764 21 32  
 Email: info@guemisa.com

UNLESS OTHERWISE SPECIFIED, DIMENSIONS ARE IN mm(in).  
 TOLERANCES:  
 ANGLES ±1.5°  
 ≤10 mm: ±0.25  
 <100 mm: ±0.5  
 ≥100 mm: ±1

DRAWN	T.TSUGAWA	DATE	12/20/94
CHECKED		DATE	
APPROVED		DATE	
APPROVED		DATE	
SCALE:			

SPECIFICATION DWG  
 FOR  
**MODEL LP-20F**  
 LINEAR MOTION  
 POTENTIOMETER

**Midori America Corporation**  
 FULLERTON, CA

A-MAC-B60 | A