

REF. NO: MPCL98CAT P66

GENERAL:

MODEL CPP-45SB IS A SEALED, $\phi 45$ mm (1.77") O.D., $\phi 6$ mm (0.236") SHAFT PRECISION CONDUCTIVE PLASTIC POTENTIOMETER. ITS SUPERB QUALITY, RELIABILITY AND PERFORMANCE MAKE CPP-45B SUITABLE FOR APPLICATIONS IN HUMID, DUSTY, OILY OPERATING ENVIRONMENT.

ELECTRICAL SPECIFICATIONS:

ELECTRICAL ANGLE: 350°
 TOTAL RESISTANCE: 1k, 2k, 5k, 10k and 20k OHMS
 TOTAL RESISTANCE TOLERANCE: $\pm 15\%$
 LINEARITY (INDEPENDENT): $\pm 0.3\%$. ($\pm 0.1\%$ AVAILABLE)
 REPEATABILITY: $\pm 0.003\%$
 POWER RATING: 3 WATTS @70°C
 INSULATION RESISTANCE : 100 meg OHMS MIN. @ 1,000 Vdc
 DIELECTRIC STRENGTH: 1,000 Vrms @50/60 Hz for 1 MINUTE

MECHANICAL SPECIFICATIONS:

MECHANICAL ANGLE: 360°
 TORQUE: 150 g-cm (2.1 in-oz)
 WEIGHT: APPROX. 60 g (2.1 oz)
 LIFE: 10 MILLION CYCLES MIN.

ENVIRONMENTAL SPECIFICATIONS:

OPERATING TEMPERATURE: -40°C to +120°C
 VIBRATIONS: 15 Gs, 2,000 Hz
 SHOCK: 50Gs, 11 mS
 SEALABILITY: IP 54

REVISION

C.O.N	SYM	DESCRIPTION	DATE	DRAWN	APPR'D
A		1) "16 \pm 1" WAS "18 \pm 1".	08/03/99	T.TSUGAWA	A
B		1) WAS $\pm 0.5\%$.	05/06/02	T.TSUGAWA	
C		1) ADDED "SEALABILITY: IP54"	07/12/02	T.TSUGAWA	

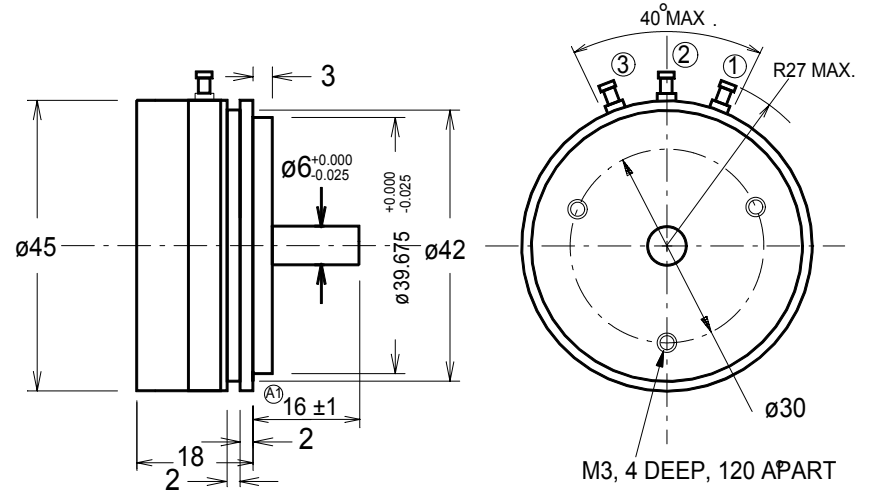


FIGURE 1 OUTLINE DIMENSION

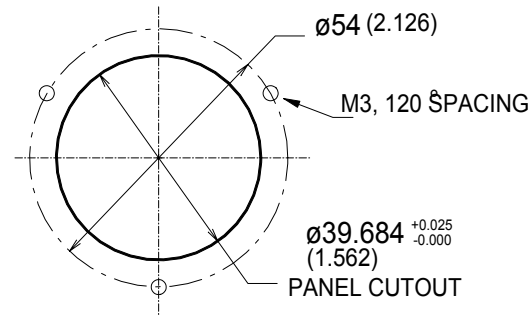


FIGURE 2 MOUNTING DIMENSION

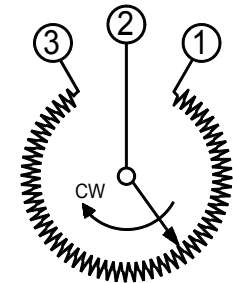


FIGURE 3 WIRING DIAGRAM



GUEMISA
 Sta. Virgilia 3-b ; 1ª 28033 Madrid
 Tfno.: 91 764 21 00 Fax.: 91 764 21 32
 Email: info@guemisa.com

UNLESS OTHERWISE SPECIFIED, DIMENSIONS ARE IN mm (in).
 TOLERANCES:
 ANGLES $\pm 1.5^\circ$
 <10 mm: ± 0.25
 <100 mm: ± 0.5
 >100 mm: ± 1

DRAWN	T.TSUGAWA	DATE	11/23/98
CHECKED		DATE	
APPROVED		DATE	
APPROVED		DATE	
SCALE:			

SPECIFICATION DWG
 FOR
**MODEL CPP-45SB
 POTENTIOMETER
 (SEALED)**

FILE: CPP-45SB

Midori America Corporation
 FULLERTON, CA

B-MAC-B29 C

1 OF 1