

REF. NO: MPCL 98CAT P67

REVISION

C.O.N	SYM	DESCRIPTION	DATE	DRAWN	APPR'D
	A	1) WAS ±0.5%.	05/06/02	T.TSUGAWA	

GENERAL:

MODEL CPP-45RBN IS A STURDILY CONSTRUCTED SEALED POTENTIOMETER WITH ø6 mm SHAFT. ITS SPURB QUALITY, RELIABILITY AND PERFORMANCE MAKE THIS UNIT SUITABLE FOR APPLICATIONS IN HUMID, DUSTY, OILY OPERATING ENVIRONMENT.

ELECTRICAL SPECIFICATIONS:

ELECTRICAL ANGLE: 350 ^{+2°}/_{-3°}
 TOTAL RESISTANCE: 1, 2, 5, 10 KOHMS
 TOTAL RESISTANCE TOLERANCE: ± 15%
 LINEARITY (INDEPENDENT): ^(A) ±0.3%.
 REPEATABILITY: ± 0.003%
 POWER RATING: 3 WATTS @70°C
 INSULATION RESISTANCE : 100 meg OHMS MIN. @ 1,000 Vdc
 DIELECTRIC STRENGTH: 1,000 Vrms @50/60 Hz for 1 MINUTE

MECHANICAL SPECIFICATIONS:

MECHANICAL ANGLE:
 TORQUE: 250 g-cm MAX.
 WEIGHT: APPROX. 600 g
 LIFE: 5 MILLION CYCLES MIN.

ENVIRONMENTAL SPECIFICATIONS:

OPERATING TEMPERATURE: -40°C to +120°C
 VIBRATIONS: 15 Gs, 2,000 Hz
 SHOCK: 50Gs, 11 mS

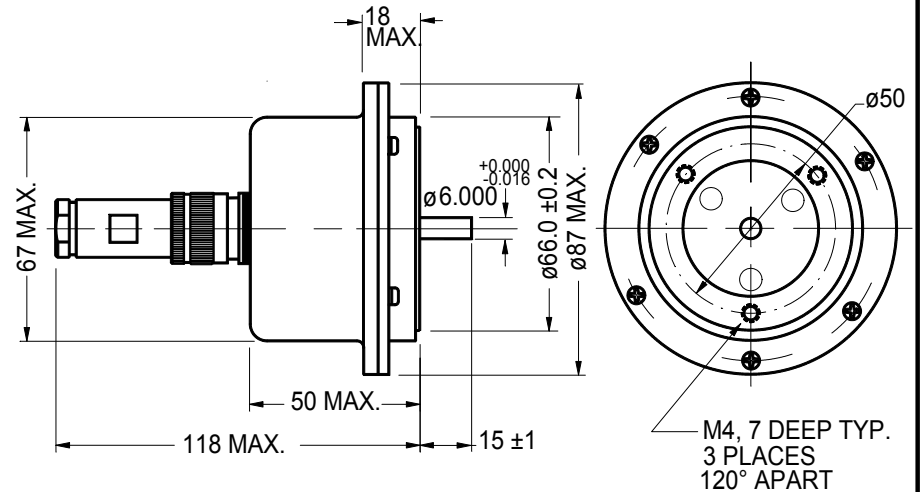


FIGURE 1 OUTLINE DIMENSION

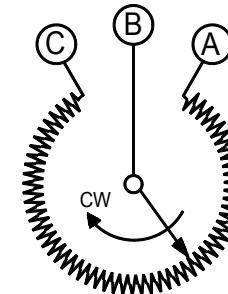


FIGURE 2 WIRING DIAGRAM



GUEMISA

Sta. Virgilia 3-b ; 1ºF 28033 Madrid
 Tfno.: 91 764 21 00 Fax.: 91 764 21 32
 Email: info@guemisa.com

UNLESS OTHERWISE SPECIFIED, DIMENSIONS ARE IN mm (in).
 TOLERANCES:
 ANGLES ±1.5°
 <10 mm: ±0.25
 <100 mm: ±0.5
 >100 mm: ±1

<table border="1"> <tr> <td>DRAWN</td> <td>T.TSUGAWA</td> <td>DATE</td> <td>4/5/99</td> </tr> <tr> <td>CHECKED</td> <td></td> <td>DATE</td> <td></td> </tr> <tr> <td>APPROVED</td> <td></td> <td>DATE</td> <td></td> </tr> <tr> <td>APPROVED</td> <td></td> <td>DATE</td> <td></td> </tr> </table>	DRAWN	T.TSUGAWA	DATE	4/5/99	CHECKED		DATE		APPROVED		DATE		APPROVED		DATE		<p>SPECIFICATION DWG FOR MODEL CPP-45RBN POTENTIOMETER (SEALED)</p>	<p>Midori America Corporation FULLERTON, CA</p>	
DRAWN	T.TSUGAWA	DATE	4/5/99																
CHECKED		DATE																	
APPROVED		DATE																	
APPROVED		DATE																	
SCALE:	FILE: CPP-45RBN	B-MAC-B47	A																
		1 OF 1																	