

GENERAL DESCRIPTION:

MODEL CP-3UY IS A CONTACTLESS POTENTIOMETER WHICH FEATURES LINEAR OUTPUT SIGNAL FOR 250° SHAFT ROTATION. THE UNIT CONSISTS OF A SET OF STATIONARY MAGNETO-RESISTOR ELEMENT AND PERMANENT MAGNET, AND ROTATING "HELICAL YOKE", WHICH IS MIDORI'S PROPRIETARY DESIGN, ATTACHED TO THE SHAFT TO CONVERT WIDE ANGLE MECHANICAL INPUT TO LINEAR ELECTRICAL OUTPUT SIGNAL. ITS PRECISION CONSTRUCTION AND ULTRA RELIABLE OPERATING PERFORMANCE MAKE IT SUITABLE FOR PROCESS CONTROL AND INDUSTRIAL ROBOTIC APPLICATIONS.

ELECTRICAL SPECIFICATIONS:

ELECTRICAL TRAVEL: 250° (F.S.)
 OUTPUT SENSITIVITY: 0.5%Vin/10° MIN.
 INDEPENDENT LINEARITY: ±1% F.S.
 INPUT IMPEDANCE: 30 kOHMS ±30% @Ta=25°C
 INPUT VOLTAGE: 14 Vdc MAX.
 OUTPUT LOAD IMPEDANCE: 10 megOHMS MIN.
 INSULATION RESISTANCE: 100 megOHMS MIN. @500Vdc
 DIELECTRIC STRENGTH: 500 Vrms, 50/60Hz, FOR ONE MINUTE.

MECHANICAL SPECIFICATIONS:

MECHANICAL ANGLE: 360° (ENDLESS)
 TORQUE: 2 gf-cm
 WEIGHT: APPROX. 90 g
 MOUNTING: SERVO MOUNT CLEATS (2 pcs) TO BE SUPPLIED WITH EACH UNIT.
 REFER TO FIGURE 4 FOR RECOMMENDED PANEL CUTOUT.

ENVIRONMENTAL SPECIFICATIONS:

OPERATING TEMPERATURE: -40°C to +100°C
 STORAGE TEMPERATURE: -40°C to +100°C
 VIBRATION: 7 G's
 SHOCK: 100 G's



GUEMISA
 Sta. Virgilia 3-b ; 1ºF 28033 Madrid
 Tfno.: 91 764 21 00 Fax.: 91 764 21 32
 Email: info@guemisa.com

C.O.N	SYM	DESCRIPTION	DATE	DRAWN	APPR'D

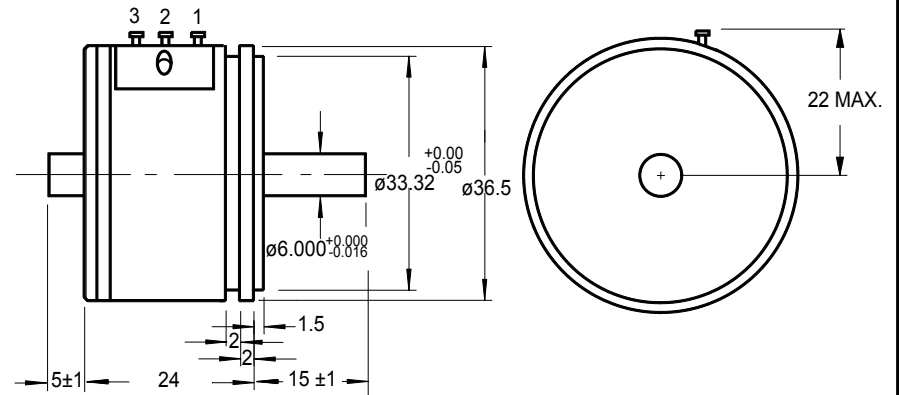


FIGURE 1 OUTLINE DIMENSIONS

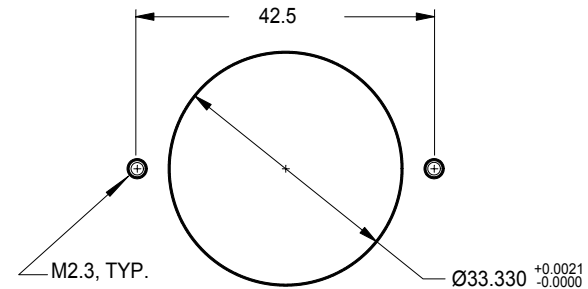


FIGURE 4 PANEL CUTOUT FOR MOUNTING

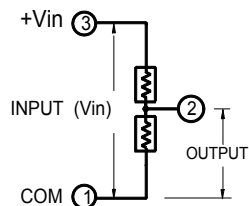


FIGURE 2 SCHEMATIC

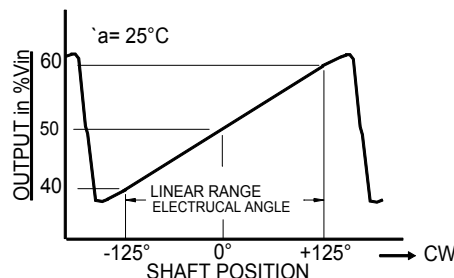


FIGURE 3 TYPICAL OUTPUT CHARACTERISTICS

UNLESS OTHERWISE SPECIFIED, DIMENSIONS ARE IN mm(in). TOLERANCES:	DRAWN T. TSUGAWA	DATE 03/19/98	SPECIFICATION DWG FOR MODEL CP-3UY CONTACTLESS POTENTIOMETER 250° ELECTRICAL ANGLE	Midori America Corporation FULLERTON, CA
	CHECKED	DATE		
	APPROVED	DATE		B-MAC-B15
	APPROVED	DATE		
SCALE:	FILE: CP-3UY	1 OF 1		