

1.0 GENERAL DESCRIPTION:

MODEL CP-2URX-04 IS A SUBMINIATURE CONTACTLESS POTENTIOMETER WITH Ø0.25" SHAFT, DESIGNED FOR INDUSTRIAL APPLICATIONS WHERE HIGH RELIABILITY AND SUPERB OUTPUT CHARACTERISTICS ARE REQUIRED. ITS UNIQUE DESIGN AND CONSTRUCTION ALLOW THE UNIT TO FEATURE ULTRA LIGHT TORQUE, SUPERIOR OUTPUT SMOOTHNESS, PRACTICALLY INFINITE RESOLUTION AND HIGH RELIABILITY.

2.0 ENVIRONMENTAL SPECIFICATIONS:

- 2.1 OPERATING TEMPERATURE: -40°C to +125°C
- 2.2 VIBRATION: 20 G's per MIL-STD-202E, 204C.
- 2.3 SHOCK: 50 G's, 11 mS per MIL-STD-202E, 213B.

3.0 ELECTRICAL SPECIFICATIONS: (UNLESS OTHERWISE SPECIFIED, Ta= 25°C)

- 3.1 INPUT VOLTAGE (Vin): 10 Vdc MAX. Ta= -40°C to +125°C
- 3.2 INPUT IMPEDANCE: 15 KOHMS ±30%
- LOAD RESISTANCE: 5 meg OHMS MIN.
- 3.3 ELECTRICAL ANGLE: ±45° (F.S.=90°) Ta= -40°C to +125°C
- 3.4 OUTPUT SENSITIVITY: 2.5% Vin/10° MIN.
- 3.5 INDEPENDENT LINEARITY: ±1.5% over F.S. Ta= -40°C to +125°C
- 3.6 INSULATION RESISTANCE: 100 meg OHMS @ 500 Vdc
- 3.7 DIELECTRIC STRENGTH: 500 Vrms @ 50/60 Hz for ONE MINUTE.

4.0 MECHANICAL SPECIFICATIONS:

- 4.1 MECHANICAL ANGLE: 360° (ENDLESS)
- 4.2 TORQUE: 0.5 g-cm MAX.
- 4.3 WEIGHT: 10 g (APPROX.)
- 4.4 MOUNTING HARDWARES: A PANEL NUT and INTERNAL TOOTH LOCKWASHER SHALL BE SUPPLIED WITH EACH UNIT.

5.0 ELECTRICAL CONNECTIONS:

SEE FIGURES 1 AND 2.

6.0 MARKING:

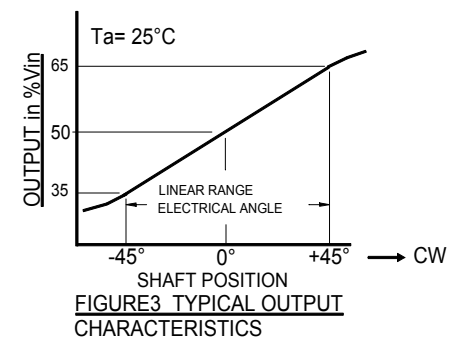
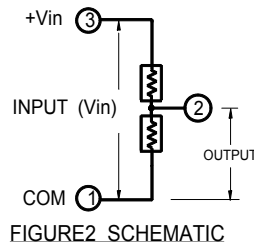
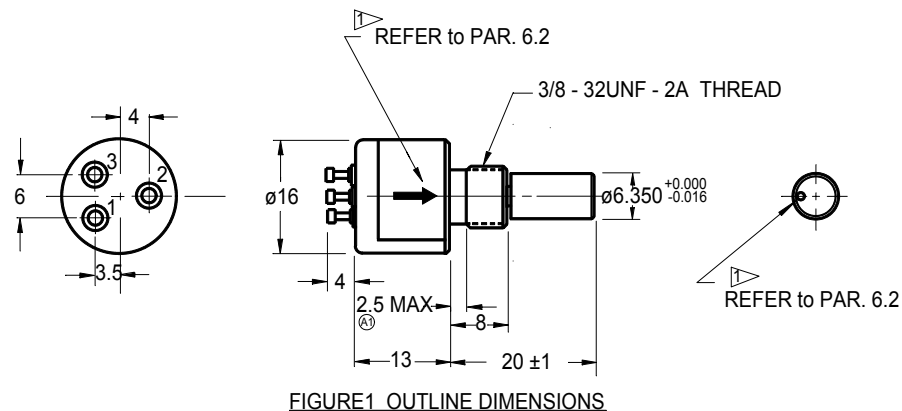
UNIT SHALL BE LABELED WITH MIDORI NAME, MODEL NO. AND SERIAL NO.

6.2 TERMINAL 2 (THE ARROW ON LABEL) AND THE DOT ON SHAFT END, SHOWN IN FIGURE1, ARE FOR DETERMINING APPROXIMATE 50% OUTPUT POINT BY ALIGNING THOSE MARKS. REFER TO FIGURES 1 AND 2.

7.0 MATERIAL:

- HOUSING; CARBON STEEL, ZINC COATED
- SHAFT: STAINLESS STEEL
- BUSHING and FRONT LID; ALUMINUM, ANODIZED
- TERMINAL POST: BRASS, TIN PLATED

C.O.N	SYM	DESCRIPTION	DATE	DRAWN	APPR'D
	A	1) WAS 1 MAX.	02/15/02	T.TSUGAWA	



GUEMISA
 Sta. Virgilia 3-b ; 1ºF 28033 Madrid
 Tfno.: 91 764 21 00 Fax.: 91 764 21 32
 Email: info@guemisa.com

UNLESS OTHERWISE SPECIFIED, DIMENSIONS ARE IN mm (in).
 TOLERANCES:
 ANGLES ±1.5°
 <10 mm: ±0.25
 <100 mm: ±0.5
 >100 mm: ±1

DRAWN T. TSUGAWA	DATE 10/11/00
CHECKED Y. NAKAMURA	DATE 03/02/01
APPROVED	DATE
APPROVED	DATE
SCALE:	

SPECIFICATION DWG
 FOR
MODEL CP-2URX-04
 CONTACTLESS POTENTIOMETER
 FILE: MODEL CP-2URX-04

Midori America Corporation
 FULLERTON, CA
B-MAC-B54 **A**
 1 OF 1