

GENERAL:

MODEL CP-2F-xxS-RB IS A MULTI-TURN POTENTIOMETER, DESIGNED WITH A CONDUCTIVE PLASTIC RESISTIVE ELEMENT AND PRECISION ANTI-BACKLASH WORM GEARS IN A COMPACT PACKAGE, OFFERING RELIABLE WIDE ANGLE POSITION SENSING SOLUTIONS.

ELECTRICAL CHARACTERISTICS:

ELECTRICAL TRAVEL: SEE TABLE 1
 TOTAL RESISTANCE: 0.5, 1, 2, 5, 10 KOHMS ±20%
 LINEARITY (INDEPENDENT): ±1.1%
 REPEATABILITY: ^(A3)0.5% MAX. (INCLUDING BACKLASH)
 OUTPUT SMOOTHNESS: 0.1% MAX.
 POWER RATING: ^(A4)0.5 WATTS @50 °C
 INSULATION RESISTANCE : 100 meg OHMS MIN. @1,000 Vdc
 DIELECTRIC STRENGTH: 1,000 Vrms @50/60 Hz for 1 MINUTE

MECHANICAL SPECIFICATIONS:

MECHANICAL TRAVEL: CONTINUOUS
 GEAR RATIO: SEE TABLE 1
 TORQUE: 4 mN-M (0.56 in-oz) MAX.
 WEIGHT: APPROX. 30g
 LIFE: SEE TABLE 1
 (X10⁶ SHAFT REVOLUTIONS MIN.)

TABEL 1 ^(A2)

MODEL NO.	CP-2F-5S-RB	CP-2F-10S-RB	CP-2F-24S-RB	CP-2F-35S-RB	CP-2F-50S-RB
ELECTRICAL TRAVEL	1,700 ±10°	3,400 ±20°	8,160 ±48°	11,900 ±70°	17,000 ±100°
GEAR RATIO	5 : 1	10 : 1	24 : 1	35 : 1	50 : 1
LIFE	10	20	48	70	100

ENVIRONMENTAL SPECIFICATIONS:

OPERATING TEMPERATURE: -40°C to +120°C
 VIBRATIONS: 15 Gs, 2,000 Hz
 SHOCK: 50Gs, 11 ms

C.O.N	SYM	DESCRIPTION	DATE	DRAWN	APPR'D
	A	(1) WAS CP-10SRB. (2) ADDED TABLE 1 TO INCLUDE 5 MODEL SPEC. VARIATIONS. (3) WAS 0.1% MAX. (4) WAS 1 WATT@70°C.	07/12/02	T.TSUGAWA	Y.N.

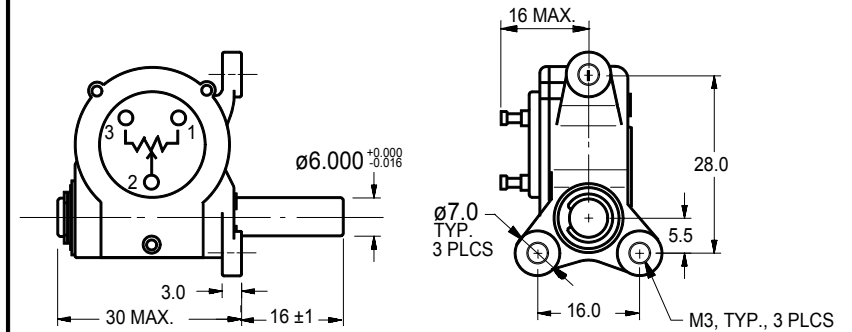


FIGURE 1 OUTLINE DIMENSION

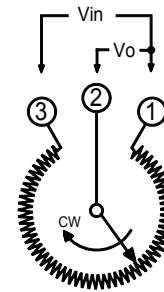


FIGURE 2 WIRING DIAGRAM

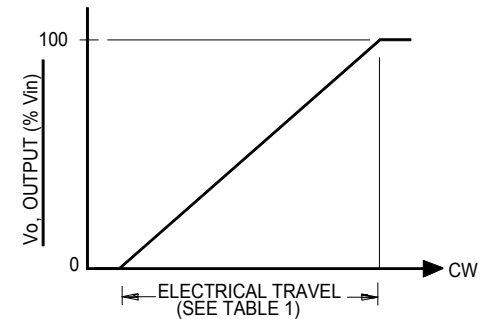


FIGURE 3 OUTPUT CHARACTERISTICS



GUEMISA
 Sta. Virgilia 3-b ; 1°F 28033 Madrid
 Tfn.: 91 764 21 00 Fax.: 91 764 21 32
 Email: info@guemisa.com

UNLESS OTHERWISE SPECIFIED, DIMENSIONS ARE IN mm (in).
 TOLERANCES:
 ANGLES ±1.5°
 <10 mm: ±0.25
 <100 mm: ±0.5
 >100 mm: ±1

DRAWN T.TSUGAWA	DATE 8/21/96
CHECKED Y. NAKAMURA	DATE 8/21/96
APPROVED	DATE
APPROVED	DATE
SCALE:	

SPECIFICATION DWG
 FOR
^(A1)CP-2F-xxS-RB
 POTENTIOMETER
 (WITH GEAR HEAD)

FILE: CP-2F-xxSRB

Midori America Corporation
 FULLERTON, CA

A-MAC-B81 A