



General description

Inclinometer for harsh environments with a high damping

- 12VDC & 24VDC power supply
- Range $\pm 15^\circ$
- Standard current output 4...20mA
- Shielded cable
- Response time $\sim 1s$
- IP68

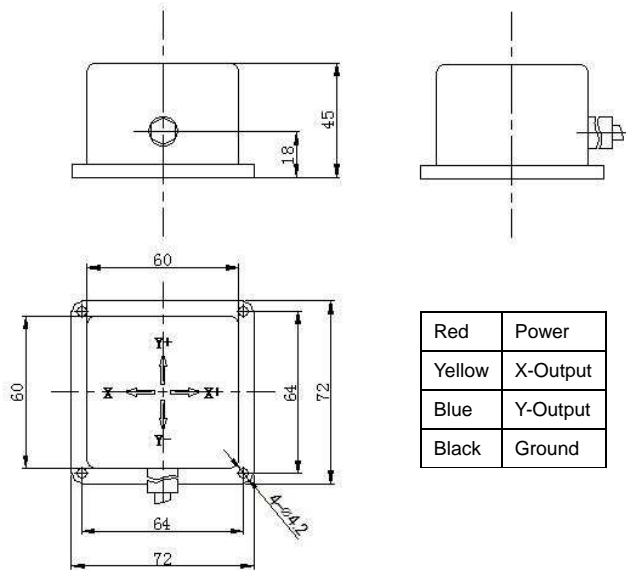
Technical datas:

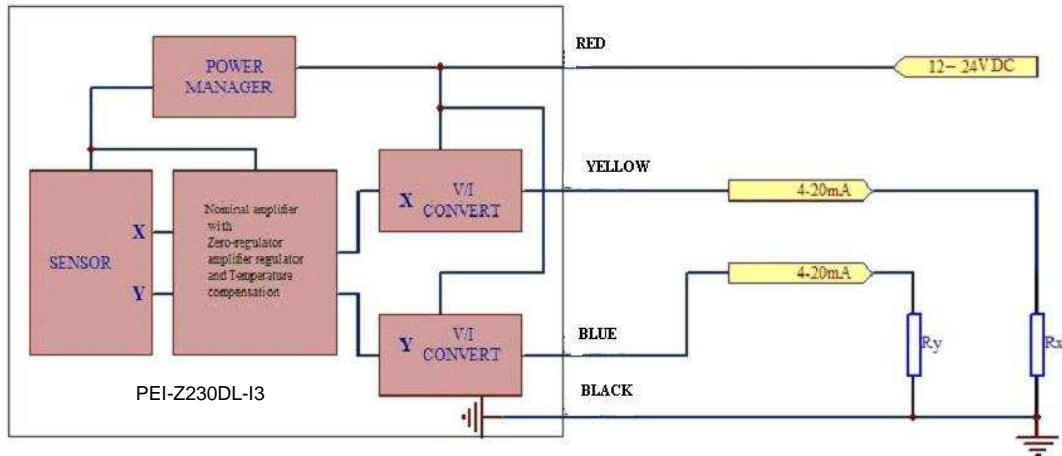
Item	Parameter	Unit	Remark
Measuring range	$+15^\circ \sim -15^\circ$	Degree	Two-axis
Resolution	0.01	Degree	
Accuracy	0.1	Degree	
Repeatability	< 0.1	Degree	

Environmental specifications

Item	Parameter	Unit	Remark
Voltage	10 to 30	VDC	
Operating current	<100	mA	
Operating temperature	$-40 \sim +85$	$^\circ\text{C}$	
Storage temperature	$-45 \sim 125$	$^\circ\text{C}$	
Temp. Drift	0.008	$\%^\circ\text{C}$	
Size	90*90*60	Mm	

Connection definition and size:





Tilt angle and output current (theory value) relevant relationship diagram:

Tilt angle	Output current	Tilt angle	Output current	Tilt angle	Output current
>+15°	4mA	+4.5°	9.6 mA	-7.5°	16 mA
+15°	4 mA	+3°	10.4 mA	-9°	16.8 mA
+13.5°	4.8 mA	+1.5°	11.2 mA	-10.5°	17.6 mA
+12°	5.6 mA	0°	12 mA	-12°	18.4 mA
+10.5°	6.4 mA	-1.5°	12.8 mA	-13.5°	19.2 mA
+9°	7.2 mA	-3°	13.6 mA	-15°	20 mA
+7.5°	8 mA	-4.5°	14.4 mA	<-15°	20 mA
+6°	8.8 mA	-6°	15.2 mA		

Specifications are subject to change without notice.



GUEMISA (Electrónica Guerra y Miró Guemisa S.L.)
 Sta. Virgilia, 29 - local - 28033 Madrid (Spain)
 Tlfno.: (034) 91 764 21 00 Fax.: (034) 91 764 21 32
 Email.: ventas@guemisa.com Web.: www.guemisa.com