

PEI-Z245DL-I3 Current type two-axis inclinometer



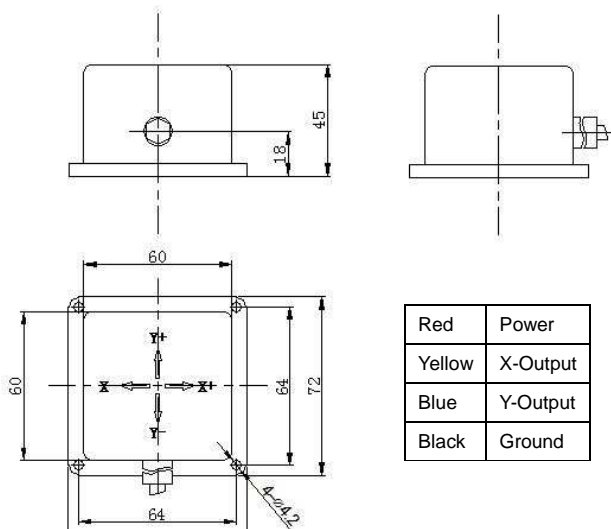
Current type dual axis inclinometer for harsh environment

- Power Supply 7 - 30VDC
- Response time 1 sec.
- +/-45° range
- Response time ~1s
- High accuracy
- Standard current output 4..20mA
- Shielded cable
- IP68 Protection Level

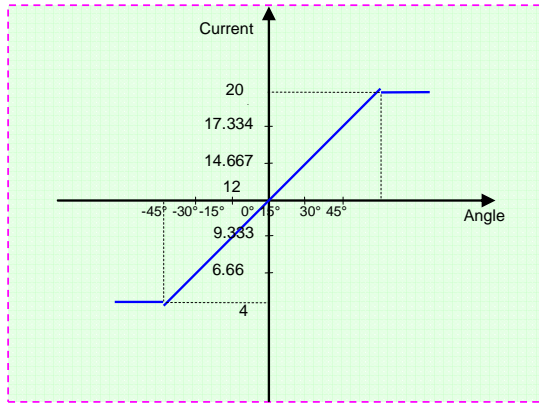
Specifications:

Parameter	Value	Unit	Remark
Measuring range	±45°	degree	Two-axis
Response time	~1s	second	
Resolution	0.02	degree	
Non-linearity	±0.2%/FS	degree	@ 25±4℃
Sensitivity	0.178	mA/degree	
Zero output current	12	mA	
Temp. drift	0.008	°/℃	
Operating voltage	7~30	V	DC
Static operating current	<50	mA	Vcc=12V
Operating temperature	-40 ~ +85	℃	
Storage temperature	-45 ~ 125	℃	
Case size	72*72*45	mm	
Output wire length	2	m	

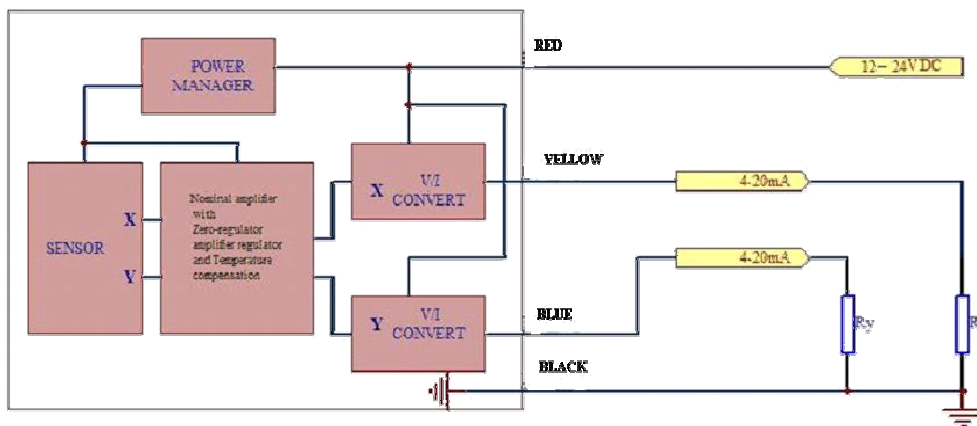
Dimensions & Cable Connection



Output Signal



Block Diagram



Notes:

1) Min. load resistance :

Load resistance \leq (supply voltage - 6V - voltage drop of output wire) / max output current

For example: supply voltage 12V, output wire 100m, $2 \times 0.14 \text{mm}^2$, max output current 20mA;

Power supply 12V \rightarrow Load resistance \leq (12 - 6 - 0.6) / 0.02 = 270 Ω

2) Angle and current conversion formula: angle = (output angle - 12mA) / 0.178

Specifications are subject to change without notice.