



General description

Inclinometer for harsh environments with a high damping

- 9, 12 & 24VDC power supply
- Range +/-30°
- Standard current output 4...20mA
- Shielded cable
- Damping: Response time ~1s
- IP68

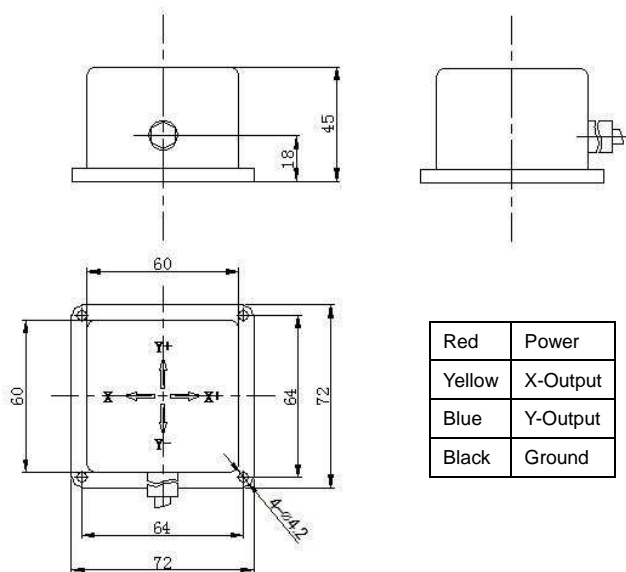
Technical datas:

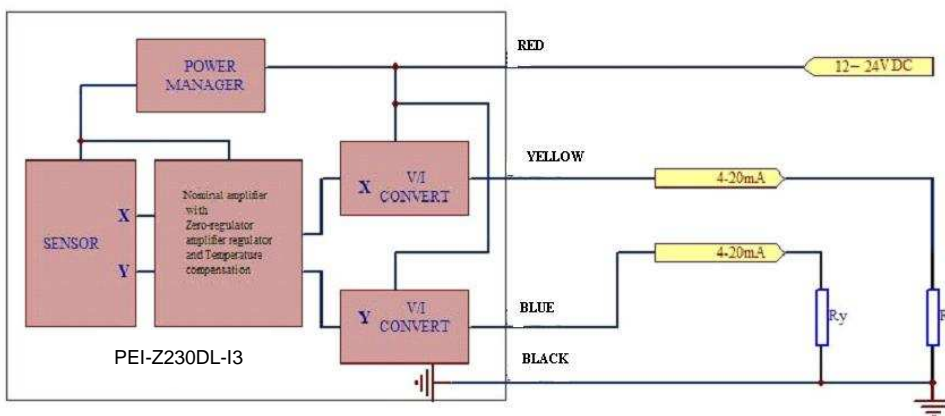
Item	Parameter	Unit	Remark
Measuring range	±30°	degree	Two-axis
Resolution	0.005	degree	
Accuracy	0.1	degree	Testing temperature 25±4 °C
Repeatability	< 0.1	degree	
Sensitivity	0.267	mA/degree	

Environmental specifications

Item	Parameter	Unit	Remark
Voltage	7 to 30	VDC	
Operating current	<50	mA	Vcc=12V
Operating temperature	-40 ~ +85	°C	
Storage temperature	-45 ~ 125	°C	
Temp. Drift	0.008	%°C	
Size	72*72*45	mm	

Connection definition and size:





Note:

(1) Load resistance and supply voltage need to meet the following formula:

Load resistance \leq (supply voltage - 6V - voltage drop of output wire) / max output current

i.e.: supply voltage 12V, output wire 100m, $2 \times 0.14 \text{mm}^2$, max output current 20mA

So if supply power is 12V, Load resistance \leq (12 - 6 - 0.6) / 0.02 \rightarrow Load resistance \leq 270 Ω

Tilt angle	Output current	Tilt angle	Output current	Tilt angle	Output current
>+30°	4mA	+9°	9.6 mA	-15°	16 mA
+30°	4 mA	+6°	10.4 mA	-18°	16.8 mA
+27°	4.8 mA	+3°	11.2 mA	-21°	17.6 mA
+24°	5.6 mA	0°	12 mA	-24°	18.4 mA
+21°	6.4 mA	-3°	12.8 mA	-27°	19.2 mA
+18°	7.2 mA	-6°	13.6 mA	-30°	20 mA
+15°	8 mA	-9°	14.4 mA	<-30°	20 mA
+12°	8.8 mA	-12°	15.2 mA		

Specifications are subject to change without notice.



GUEMISA (Electrónica Guerra y Miró Guemisa S.L.)
 Sta. Virgilia, 29 - local - 28033 Madrid (Spain)
 Tlfno.: (034) 91 764 21 00 Fax.: (034) 91 764 21 32
 Email.: ventas@guemisa.com Web.: www.guemisa.com