

# Inclinometer PEI-S301-1

- Sensors for tilt measuring
- One axis
- Ranges from  $\pm 5^\circ$  to  $\pm 90^\circ$
- Sinusoidal output vs. tilt
- Good accuracy
- Good resolution capability
- Compact size
- Low cost
- MEMS technology

## Order information

PEI - S301-1-**XXX** -**X**

Full range of tilt measuring (F.R.)					
10	$\pm 5^\circ$	60	$\pm 30^\circ$	120	$\pm 60^\circ$
20	$\pm 10^\circ$	70	$\pm 35^\circ$	140	$\pm 70^\circ$
30	$\pm 15^\circ$	80	$\pm 40^\circ$	160	$\pm 80^\circ$
40	$\pm 20^\circ$	90	$\pm 45^\circ$	180	$\pm 90^\circ$
50	$\pm 25^\circ$	100	$\pm 50^\circ$		

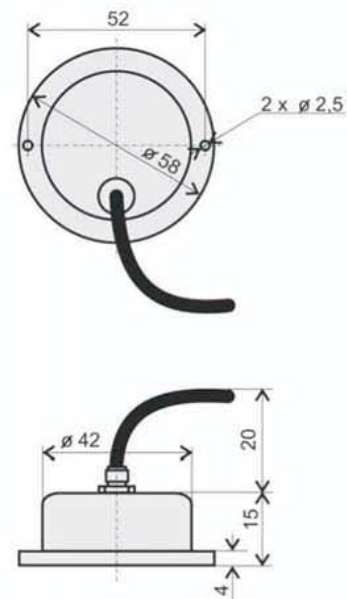
Output range	
U	0,3~4,7V
I	4~20mA

## Specification

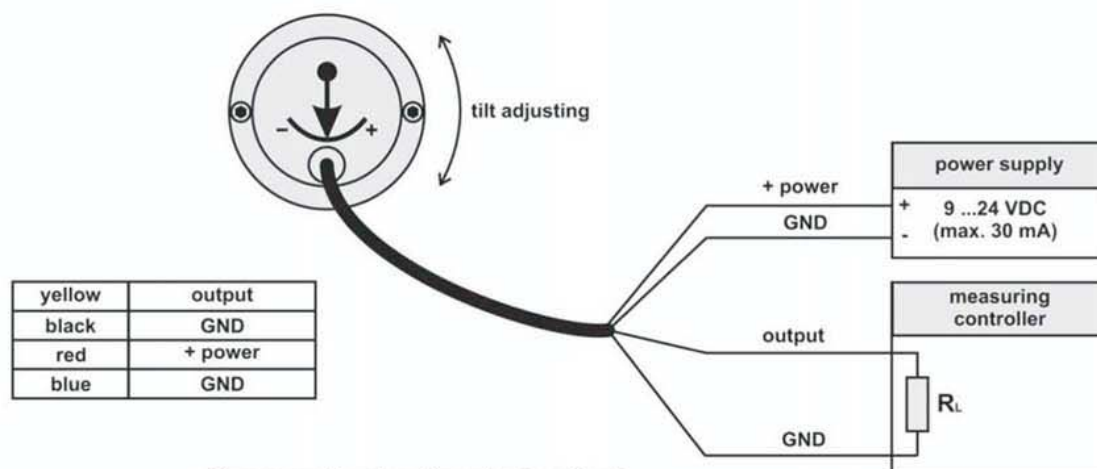
Nonlinearity in F.R.*	max 1%
Resolution in F.R.*	min 0,1%
Hysteresis in F.R.*	max 0,2%
Temperature error	max 400 ppm / °C
Operating temperature	-40~80°C
Output loading (U output)	min 500 kOhm
Output loading (I output)	max 200 Ohm
Response time*	< 1 s
Protection	IP66
Power supply voltage	9~24 VDC
Power consumption	< 30 mA

\* For temperature 20 °C

## Cover drawing



## Connection circuit



Sensor must be placed in vertical position !